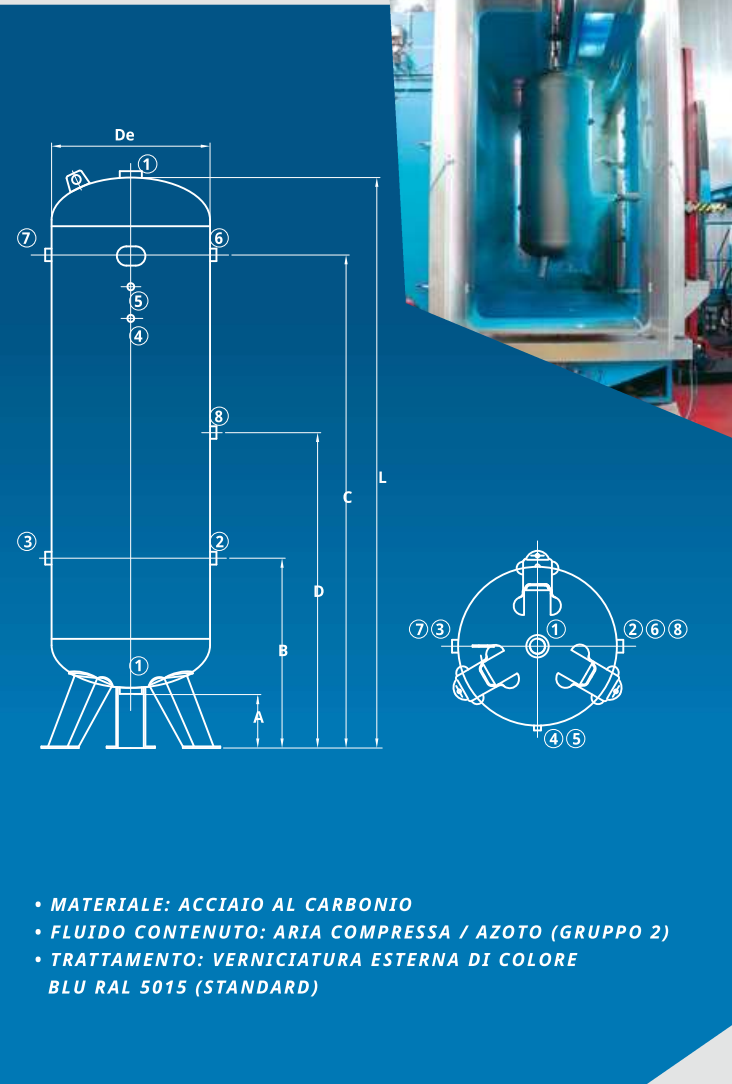


SERBATOI ARIA VERTICALI VERNICIATI 11-12-16 BAR -10°C



DIRETTIVA	2014/29/UE	2014/68/UE (PED)
PRESSIONE DI ESERCIZIO	11/16 BAR	12/16 BAR
TEMPERATURA DI ESERCIZIO	-10 +100°C	-10 +50°C

- MATERIALE: ACCIAIO AL CARBONIO
- FLUIDO CONTENUTO: ARIA COMPRESA / AZOTO (GRUPPO 2)
- TRATTAMENTO: VERNICIATURA ESTERNA DI COLORE BLU RAL 5015 (STANDARD)

CODICE	Direttiva	Capacità nominale	Pressione esercizio	De	A	B	C	D	L	1	2	3	4	5	6	7	8	Peso
RAL 5015		Lt	Bar	mm	mm	mm	mm	mm	mm	inch	inch	inch	inch	inch	inch	inch	inch	Kg
VEC00644	2014/29/UE	100	11	370	180	355	1055	=	1213	1/2"	3/4"	=	3/8"	3/8"	=	3/4"	=	31
VEC00709	2014/29/UE	150	11	396	170	385	1210	=	1430	1/2"	1"	=	3/8"	3/8"	=	1"	=	44
VEC02071	2014/29/UE	200	11	446	175	400	1225	=	1557	2"	1"	=	3/8"	3/8"	=	1"	=	55
VEC00795	2014/29/UE	270	11	500	175	599	1304	=	1648	2"	1"	1"	=	3/8"	1"	=	=	67
VEC00493	2014/29/UE	500	11	600	155	785	1665	=	2050	1/2"	1"	1"	=	3/8"	1"	1"	=	115
VEC00370	2014/29/UE	500	11	600	155	785	1665	=	2050	2"	2"	2"	=	3/8"	2"	2"	=	116
VEC00507	2014/29/UE	720	11	750	135	880	1705	=	2030	2"	1"	1"	3/8"	3/8"	1"	1"	=	178
VEC00510	2014/29/UE	720	11	750	135	880	1705	=	2030	2"	2"	2"	3/8"	3/8"	2"	2"	=	178
VEC00511	2014/29/UE	900	11	800	145	875	1805	=	2140	2"	1 1/2"	1 1/2"	3/8"	3/8"	1 1/2"	1 1/2"	=	194
VEC02045	2014/29/UE	900	11	800	145	875	1805	=	2140	2"	2"	2"	3/8"	3/8"	2"	2"	=	194
VEC00518	2014/68/UE (PED)	1000	12	800	145	770	1720	=	2350	2"	2"	2"	3/8"	3/8"	2"	2"	=	210
VEC00525	2014/68/UE (PED)	1500	12	1000	170	680	1780	=	2305	2"	2"	2"	1/2"	1/2"	2"	2"	=	320
VEC00528	2014/68/UE (PED)	2000	12	1100	200	770	1970	=	2490	2"	2"	2"	1/2"	1/2"	2"	2"	=	388
VEC00530	2014/68/UE (PED)	2000	12	1100	200	770	1970	=	2490	2"	3"	3"	1/2"	1/2"	3"	3"	=	390
VEC00535	2014/68/UE (PED)	3000	12	1200	140	830	2250	1540	2990	2"	2"	2"	1/2"	1/2"	2"	2"	2"	594
VEC01360	2014/68/UE (PED)	3000	12	1200	140	830	2250	1540	2990	2"	3"	3"	1/2"	1/2"	3"	3"	3"	596